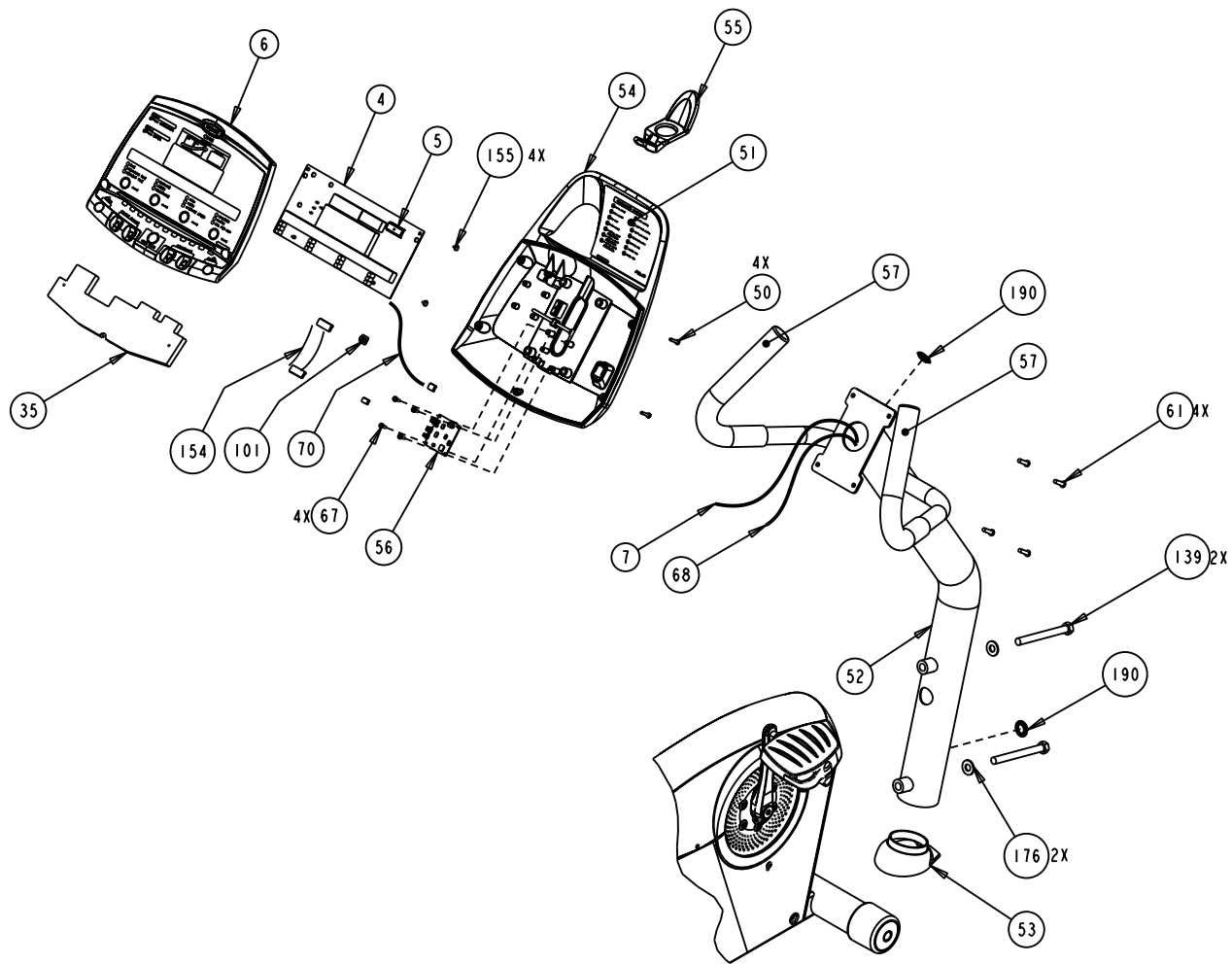
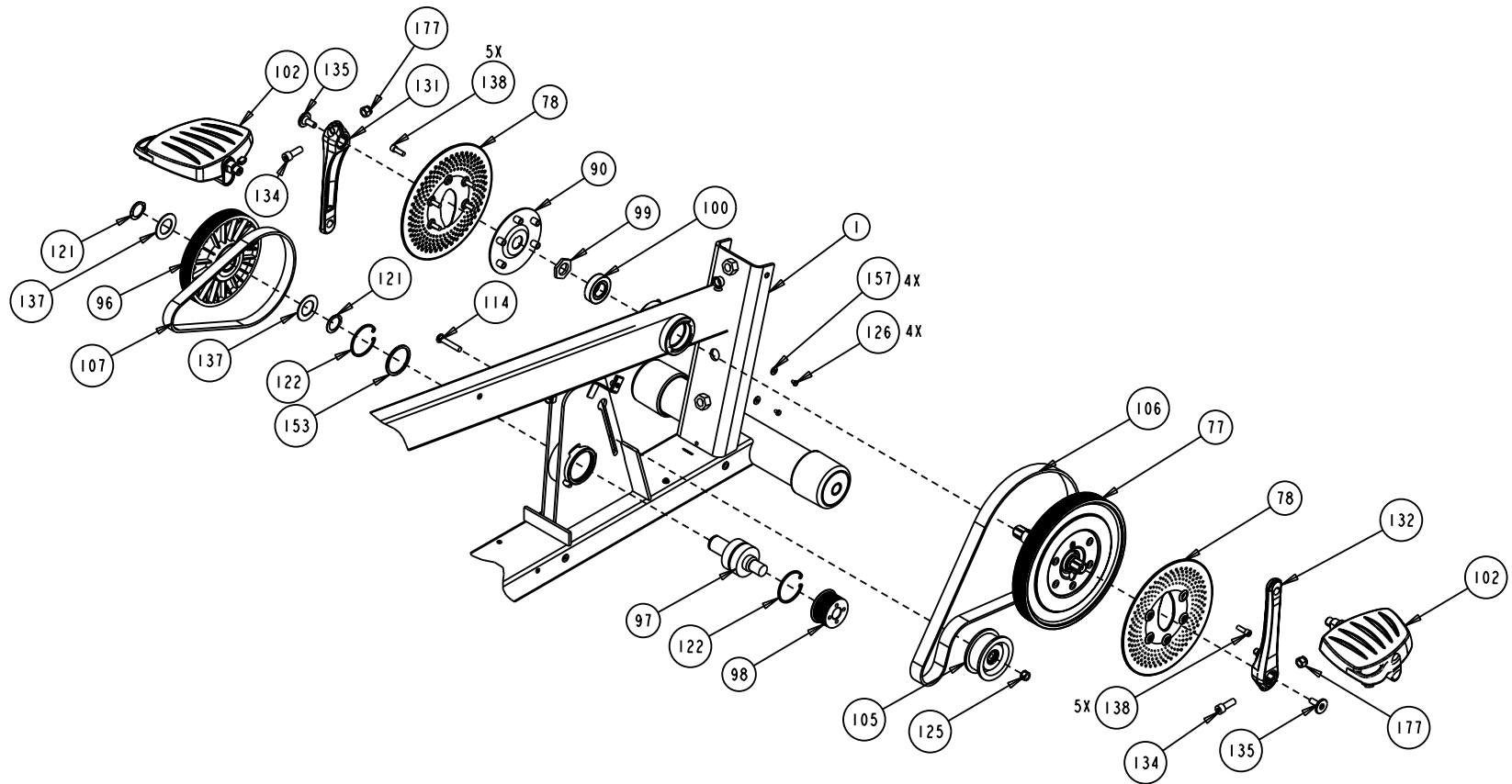


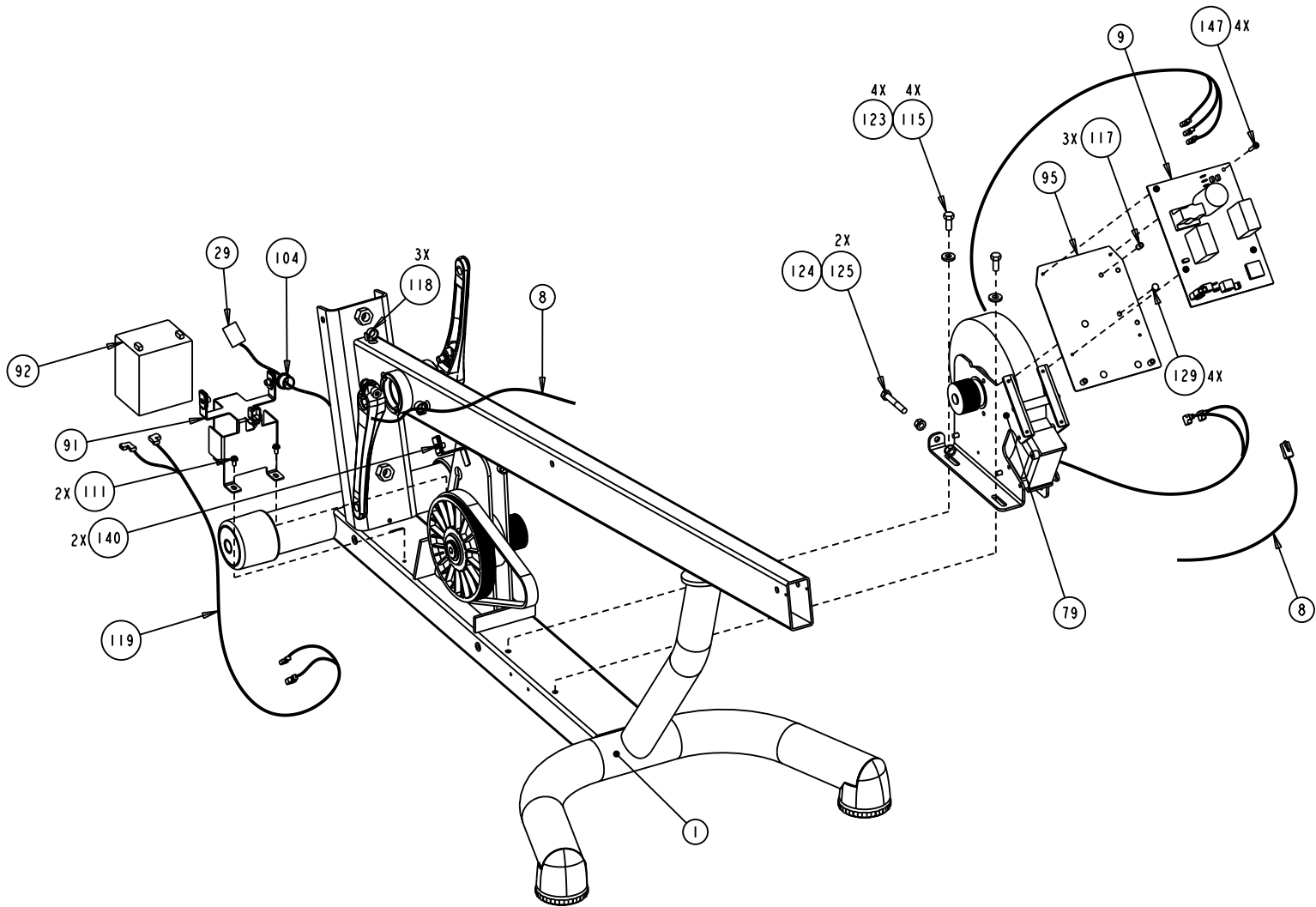
C846 RECUMBENT	P/N 45903-101	REV: L
DRAWN BY: M.HAMILTON	DATE: 02.10.06	SHEET 1 OF 8



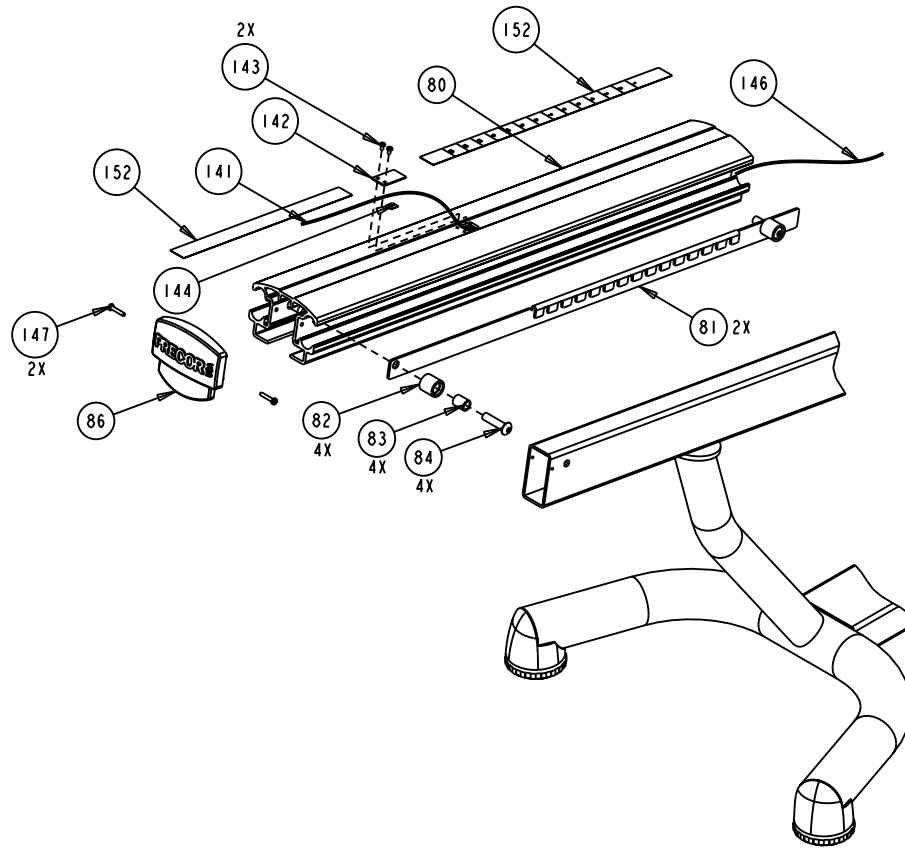
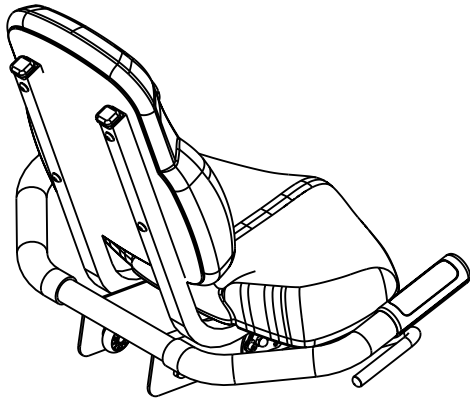
C846 RECUMBENT	P/N 45903-101	REV: L
DRAWN BY: M.HAMILTON	DATE: 02.10.06	SHEET 2 OF 8



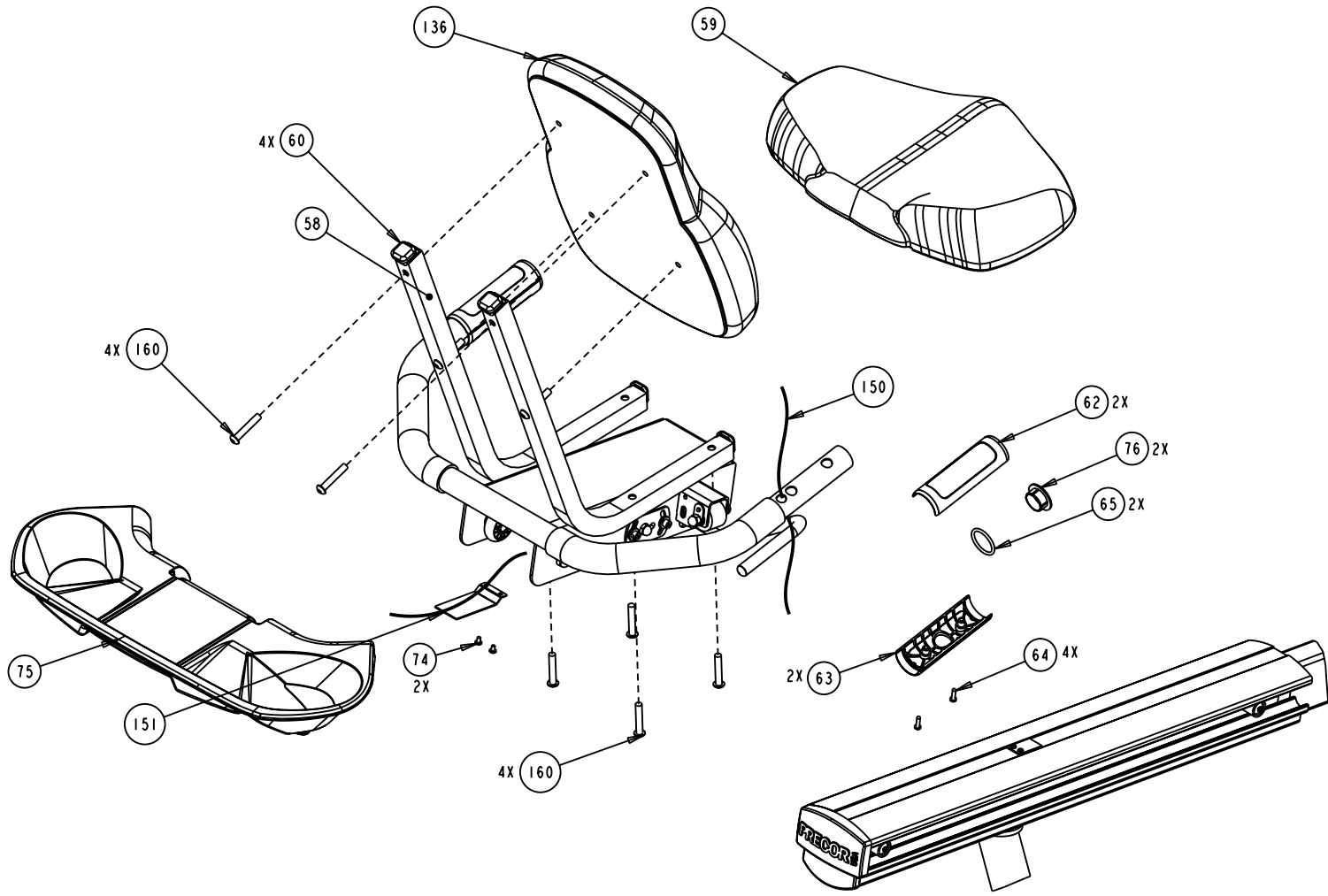
C846 RECUMBENT	P/N 45903-101	REV: L
DRAWN BY: M.HAMILTON	DATE: 02.10.06	SHEET 3 OF 8



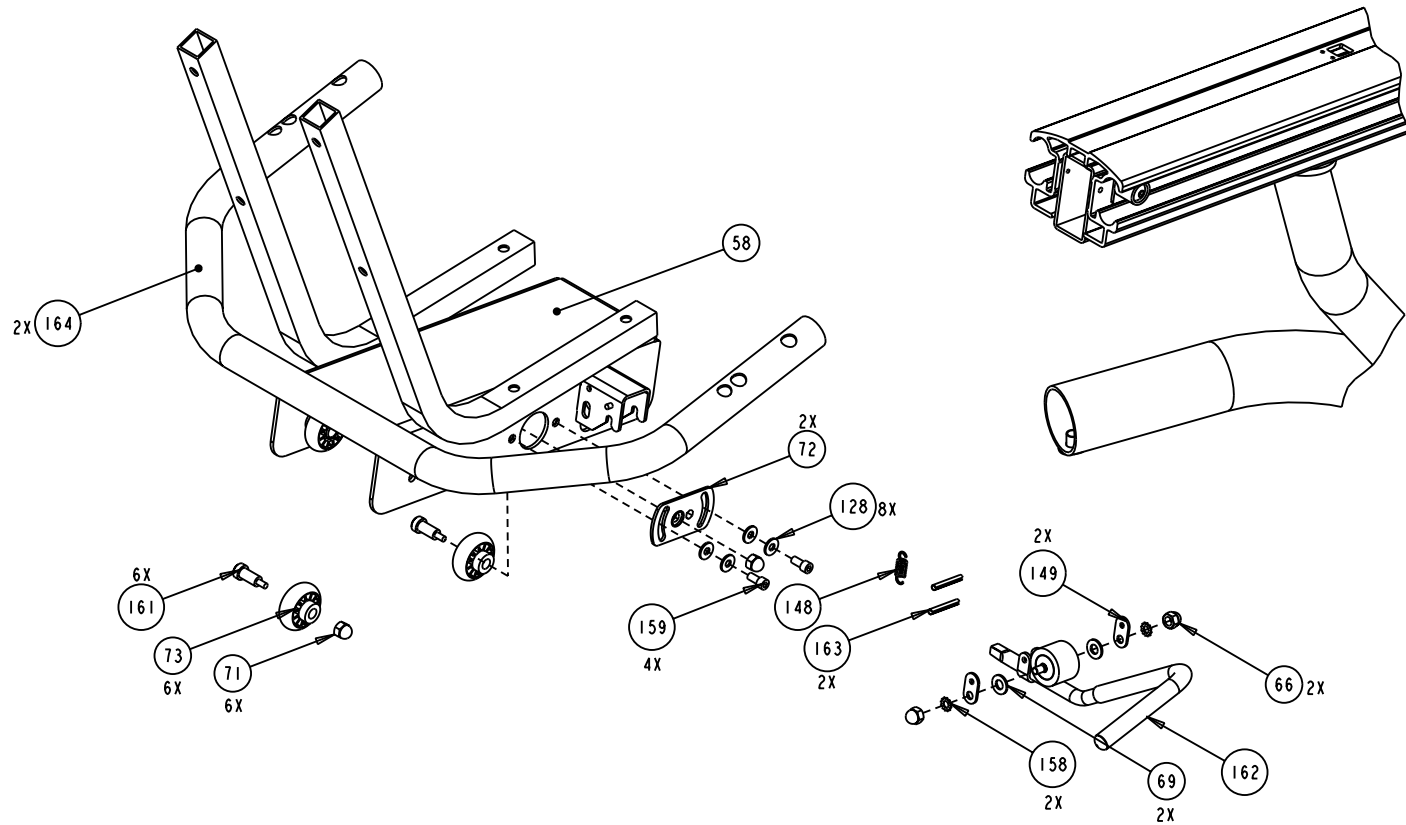
C846 RECUMBENT	P/N 45903-101	REV: L
DRAWN BY: M.HAMILTON	DATE: 02.10.06	SHEET 4 OF 8



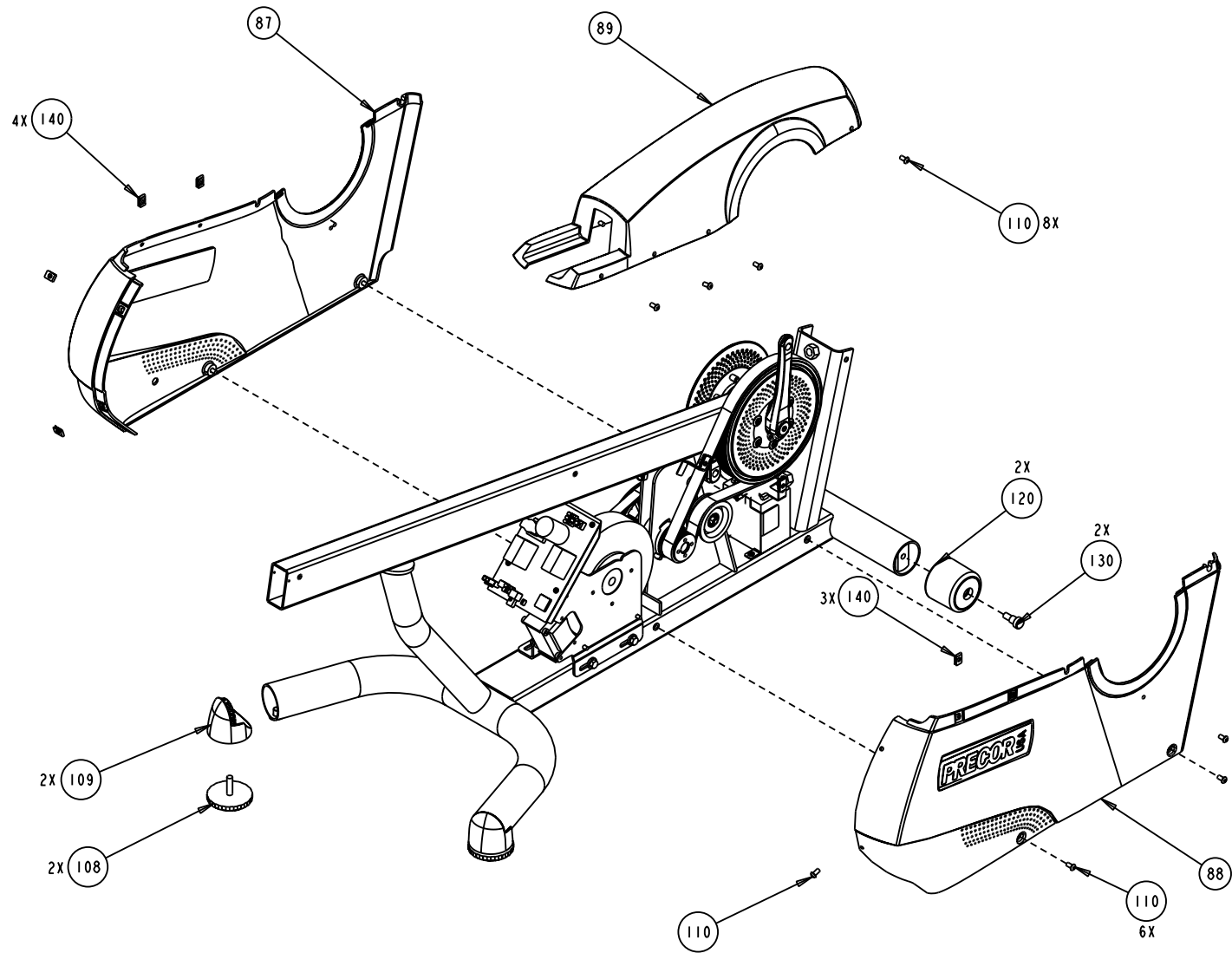
C846 RECUMBENT	P/N 45903-101	REV: L
DRAWN BY: M.HAMILTON	DATE: 02.10.06	SHEET 5 OF 8



C846 RECUMBENT	P/N 45903-101	REV: L
DRAWN BY: M.HAMILTON	DATE: 02.10.06	SHEET 6 OF 8



C846 RECUMBENT	P/N 45903-101	REV: L
DRAWN BY: M.HAMILTON	DATE: 02.10.06	SHEET 7 OF 8



C846 RECUMBENT	P/N 45903-101	REV: L
DRAWN BY: M.HAMILTON	DATE: 02.10.06	SHEET 8 OF 8

C846i (recumbent)(serial code A965, AA56, AABJ)

Part Number	Description	Bubble Number	Your Price
45403-108	WELDMENT, FRAME, 842I/846I, RECUMBE	1	\$322.64
47772-104	ASSY, UPPER PCA & SW, C846I-T2	4	\$242.64
48215-101	ASSEMBLY, DISPLAY, LABEL, C846I-T2,	6	\$189.04
44905-042	ASSY,CBL,MOD,8P8C,1-1,42"	7	\$3.68
44905-042	ASSY,CBL,MOD,8P8C,1-1,42"	8	\$3.68
45600-583	PCA, BIKE SELF POWER, 3 PHASE, (T2,	9	\$260.00
48213-101	ASSY, LOWER PCA & SW, SELF POWER BI	9.01	\$278.08
45475-211	CPU, PGMD, BIKE, SELF POWER 3-PHASE	27	\$72.00
44411-103	TOUCHSENSOR SHIELD,23-KEY,T2/C2/T3/	35	\$10.00
PMKN016-088	SCREW,TCS,#8X7/8,PHIL,BLK ZN,TYPE 2	50	\$0.48
47383-111	LABEL, ACCESSORY TRAY, EN, C846I	51	\$12.88
45425-105	WELDMENT, DISPLAY SUPPORT, C842/C84	52	\$159.76
45512-101	SWEAT BIB	53	\$8.16
43179-104	BACKPLATE, DISPLAY, COMMERCIAL ,STO	54	\$35.84
43329-102	WIRE FORM,PLASTIC,COMMERCIAL	55	\$6.48
43579-106	BOARD, CHR & WIRELESS/CONTACT PRIOR	56	\$114.24
38580-102	GRIP,HANDLEBAR	57	\$17.12
45453-103	WELDMENT, RECUMBENT SEAT, 846R.PT	58	\$199.20
45457-101	SEAT, BOTTOM, 846R	59	\$90.64
11311-105	ENDCAP, REC TUBE, BLACK PLASTIC, 1.	60	\$1.12
TAKN025-100	SCREW,BTHD,1/4-20X1,BLK ZN	61	\$0.96
42713-102	HHHR SENSOR, TOP	62	\$21.76
42714-102	HHHR SENSOR, BOTTOM	63	\$21.76
TCNN016-075	SCREW, BTHD, 8-32X.75,SS	64	\$0.32
10115-113	O-RING, ROUND, 1.25ID X .139	65	\$0.32
KADCN025-022	NUT,ACORN,1/4-20	66	\$1.12
MGCN013-025	SCREW,MCH,6-32X1/4,PANHD,PHIL,	67	\$0.32
45855-044	ASSY,CBL,HHHR,FFC TO DISPLAY,24AWG,	68	\$24.80
WBCN031-007	WASHER,FLT,5/16X.688X.065, ZN	69	\$1.52
44954-013	ASSY,CBL,HHHR TO DISPLAY,13"	70	\$27.92
KBFCN031-053	NUT,ACORN,5/16-18, CENTERLOCK	71	\$1.28
39478-104	PLATE, ECCENTRIC	72	\$11.52
38578-102	WHEEL,846R	73	\$2.56
MGKN016-025	SCREW,MCH,8-32X1/4PANHD,PHIL,	74	\$0.32
45629-102	ACCESORY TRAY, BIKE, RECUMBENT,STON	75	\$102.64
42730-101	PLUG, HHHR, HANDLE BAR END	76	\$2.80
45747-101	CRANK COVER, SELF-POWERED BIKE	78	\$8.16
45436-101	ASSEMBLY,SP,GENERATOR,BIKE	79	\$189.20
38625-104	EXTRUSION,RECUMBENT SEAT,C842/C846R	80	\$92.48
38623-104	RAIL LOCK, C842/C846R	81	\$39.60
38624-103	SEAT STOP,846R	82	\$1.84
39388-201	SPACER,SEAT STOP,ZN COATING	83	\$2.72
TAKN038-150	SCREW,BTHD,3/8-16X1-1/2,BLK ZN	84	\$1.52
38622-104	COVER,EXTRUSION CAP,846R,STONE GREY	86	\$5.92
47437-101	ASSEMBLY, COVER W/LABELS,BIKE,LEFT	87	\$59.04
47437-102	ASSEMBLY, COVER W/LABELS,BIKE,RIGHT	88	\$59.04
45511-102	COVER, TOP, BIKE, RECUMBENT,STONE GR	89	\$57.12
45842-101	ASSY, LOCKRING, SELF-POWERED BIKE	90	\$5.76
46983-101	BRACKET, BATTERY, SELF POWERED BIKE	91	\$20.16
12258-040	BATTERY,SLA,12V,4AH,.187 TABS	92	\$62.40
45438-101	BRACKET,BOARD, SELF POWERED, BIKE	95	\$7.52
47435-101	ASSY, SECONDARY SHEAVE, C846I	96	\$69.36
45449-101	ASSY,SECONDARY SHAFT	97	\$57.44
45450-103	SHEAVE, SECONDARY AXLE	98	\$27.52
45445-101	NUT, CEASE, CRANK	99	\$2.00
45441-105	INTEGRATED ACORN NUT, BEARING,BALL,	100	\$36.08
12264-101	RJ-45 TELEPHONE JACK PLUG	101	\$2.72
58017-102	PEDAL KIT, RIGHT AND LEFT	102	\$31.20

46824-101	STRAP, PEDAL,846/842	102.01	\$2.80
10178-102	BUSHING, SNAP (SB-750-625)	104	\$0.48
46825-101	PULLEY,IDLER,FLANGED	105	\$23.60
10217-137	BELT, DRIVE, 420J10 POLY V	106	\$36.40
10217-136	BELT, DRIVE, POLY V 260J8	107	\$31.68
11406-104	FOOT, ADJUSTING 3" DIA	108	\$15.84
45743-101	COVER, ADJUSTABLE FOOT, 842/846	109	\$5.28
TAKN025-075	SCREW,BTHD,1/4-20X3/4,BLK ZN	110	\$0.40
PADCN019-038	SCREW,S/T,#10-32X3/8,WSHHXHD,ZN TRI	111	\$0.32
BACN031-175	BOLT, CARRIAGE, 5/16-18 X 1.75	114	\$0.80
WBANN034-013	WASHER,FLAT,ID=11/32,OD3/4,TH=.125,	115	\$0.72
12289-806	SPCR,SELFRETAIN,NYLN,#8(M-4),3/8"	117	\$0.40
12414-101	CABLE CLAMP INSERT,SNAP IN	118	\$1.36
45250-040	ASSY,CBL,2C,16AWG,QK DISC,40"	119	\$14.00
45742-101	WHEEL,846/842	120	\$3.60
ABHN025-002	RING, RETAINING, 25MM EXTERNAL	121	\$0.80
ADHN052-002	RING, RETAINING, INTERNAL (52MM)	122	\$2.00
HEWN031-075	SCREW,HEXHD,5/16-18X.75LG,GR8,YZN	123	\$0.32
HJCN031-200	SCREW,HEX,5/16-18X2.0,ZINC,FULLY T	124	\$0.56
KGCN031-027	LOCKNUT,STARWASHER,5/16-18,1/2	125	\$0.32
MGCN016-025	SCREW,MCH,8-32X1/4,PANHD,PHIL,	126	\$0.32
WNKN026-006	WASHER,FLT,1/4X.625X.063,BLK ZN	128	\$0.72
PGKN016-050	SCREW,S/T,#8X1/2,TRS,PHIL,BLK	129	\$0.32
RAKN038-050	SCREW,SHLD,1/2 X 1/2,HEXSC,	130	\$4.00
45837-107	CRANK, LH, SP BIKE	131	\$21.76
45837-110	CRANK, RH, SP BIKE	132	\$25.04
45838-102	SCREW, CUSTOM, CRANK, M8 X 18L, SOC	134	\$0.40
CAKN038-125	SCREW,SKHD,3/8-16X1.25,BLK ZN	134	\$2.48
45838-101	SCREW, CUSTOM, CRANK, M8 X 22L, SP	135	\$1.92
38582-101	SEAT,BACK,846R	136	\$98.56
12089-103	26MM THRUST BEARING IGUS,LTM-2644-0	137	\$3.28
CCKN025-075	SCREW,SKHD,1/4-20X0.75,BLK ZN,LK	138	\$1.44
HCKN050-500	SCREW,HEX,GR5,1/2-13X5,BLK ZN	139	\$3.36
12577-101	MULTI-THREAD U-NUT 1/4-20 ITW CIP	140	\$0.00
45504-015	ASSY,CBL,FFC,04 COND,28AWG,15"	141	\$16.80
45854-101	CABLE CLAMP, EXTR, RECUMBENT, PT	142	\$2.80
MGKN013-025	SCREW,MCH,6-32X1/4,PANHD,PHIL,	143	\$0.32
45856-042	ASSY,CBL,HHR,FFC TO DISPLAY,24AWG	146	\$32.80
10589-108	SPRING, EXT .375 X 1.00	148	\$5.36
43704-101	LOCK, SHAFT	149	\$6.16
45840-024	ASSY,CBL,HHR,FFC TO GRIPS,22AWG,24	150	\$31.60
45628-102	CABLE CLAMP, SEAT, RECUMBENT, PT	151	\$9.20
45718-101	LABEL,SEAT ADJUST,C846/C842 NUMBERE	152	\$13.76
45718-102	LABEL,SEAT ADJUST,C846/C842 BLANK	152.01	\$13.76
WAKNN044-004	WASHER, WAVE, SSB-0205	153	\$3.60
45696-022	ASSY,CBL,FFC,12COND,28AWG,2.2"	154	\$15.28
MGCN016-038	SCREW,MCH,8-32X3/8,PANHD,PHIL,	156	\$0.32
WACN019-005	WASHER, FLT, #10X.500X.049,ZN	157	\$0.32
WAMCN025-002	WASHER, LOCK, EXT TOOTH, 1/4	158	\$0.32
CAKN025-050	SCREW,SKHD,1/4-20X0.50,BLK ZN,LK	159	\$0.40
TAKN031-175	SCREW,BTHD,5/16-18X1-3/4,BLK ZN	160	\$3.20
RAKN031-075	SCREW,SHLDR,5/16-18X3/4,BLK	161	\$2.88
45456-102	ASSEMBLY, LOCK MECHANISM W/GRIP	162	\$74.88
LDKN018-138	PIN, ROLL, 3/16 X 1 3/8, BLACK ZINC	163	\$1.04
38048-115	GRIP,DIP MOLD,PLASTISOL, 11.5 LG	164	\$14.56
WBKN050-008	WASHER, FLAT,1/2,.086 BLK ZINC	176	\$0.32
47718-101	HOLE PLUG, PLASTIC .875 X.03-.08	190	\$0.48
45716-101	KIT,HARDWARE,C846/C842	200	\$23.52
58019-101	REPAIR KIT, RH BIKE CRANK	202	\$28.16
58020-101	C842, C846V2, 12V POWER SUPPLY OPT	205	\$104.00

58022-101	CRANKARM REPLACEMENT KIT	250	\$137.04
48815-101	LITERATURE KIT, C846I RECUMBENT	999	\$23.84